

Base (Group)

Toilets & Showers

Trailer

Tent

Charcoal

Grill

Alum

Tent

Can

Raptor

High Adv Cooking

Water Purif

Widerness Survival

High Tech Dev

Tents

Backpacking

Stoves Storage

Food

Backpacks & Clothes

Table

Clothing

Storage

Canoes

Canoeing

Toilets & Showers

Hammock

Tent

Table

Clothing

Sleigh

Winter

Possible Camping Display Area

Grill

Tent

Charcoal

LNT in Patrol

Tent

Trailer

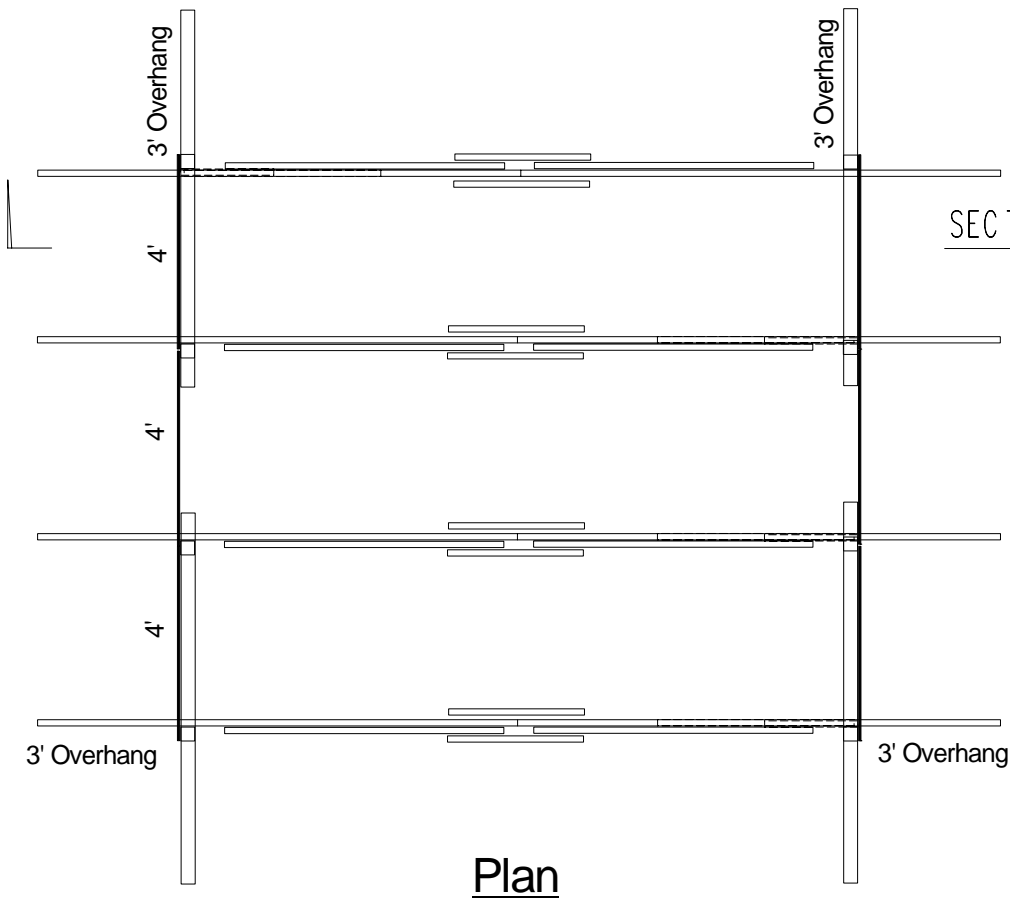
Table

Table

Storage

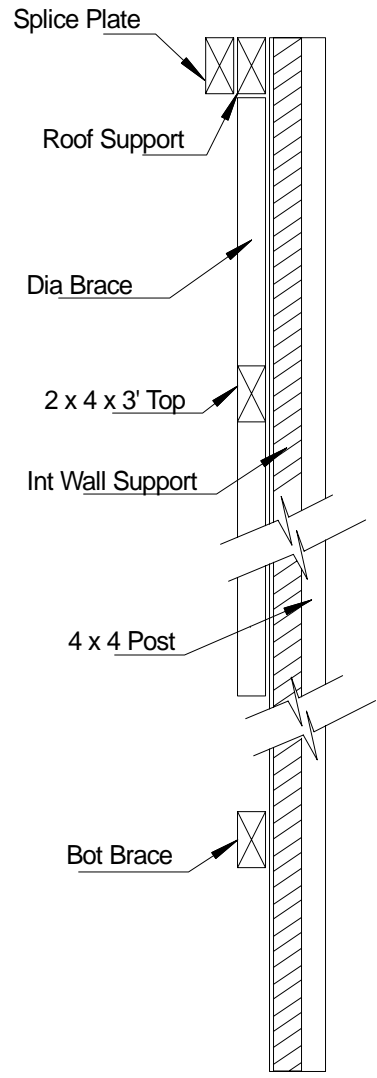
Patrol

Hammock Display

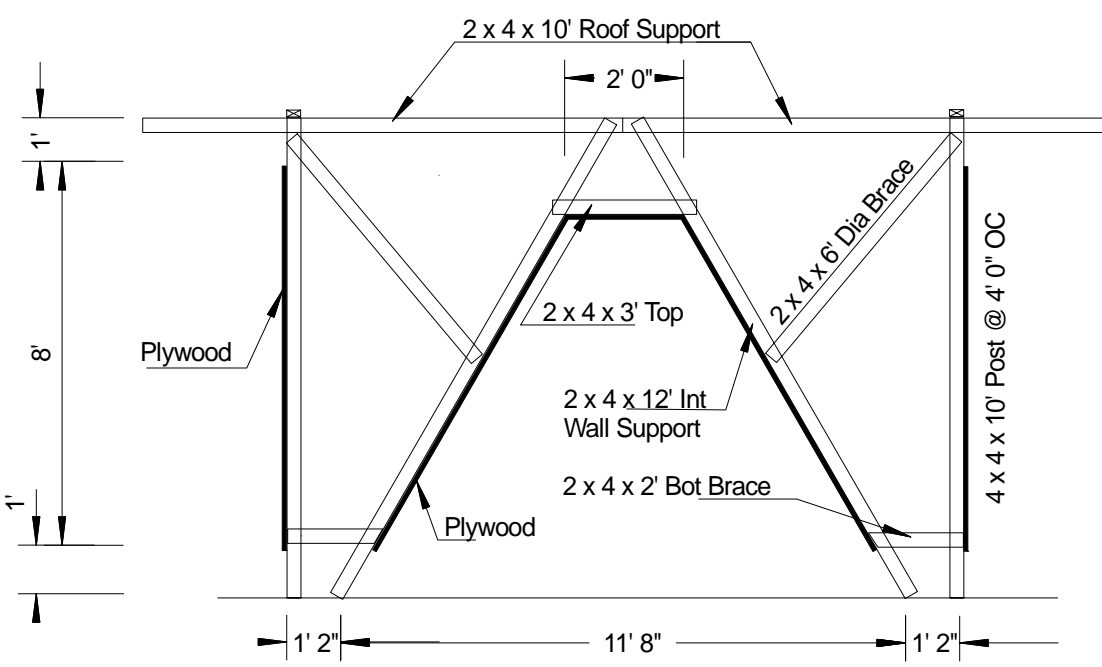


Plan

SECTION **AA**



Frame Detail



Section AA

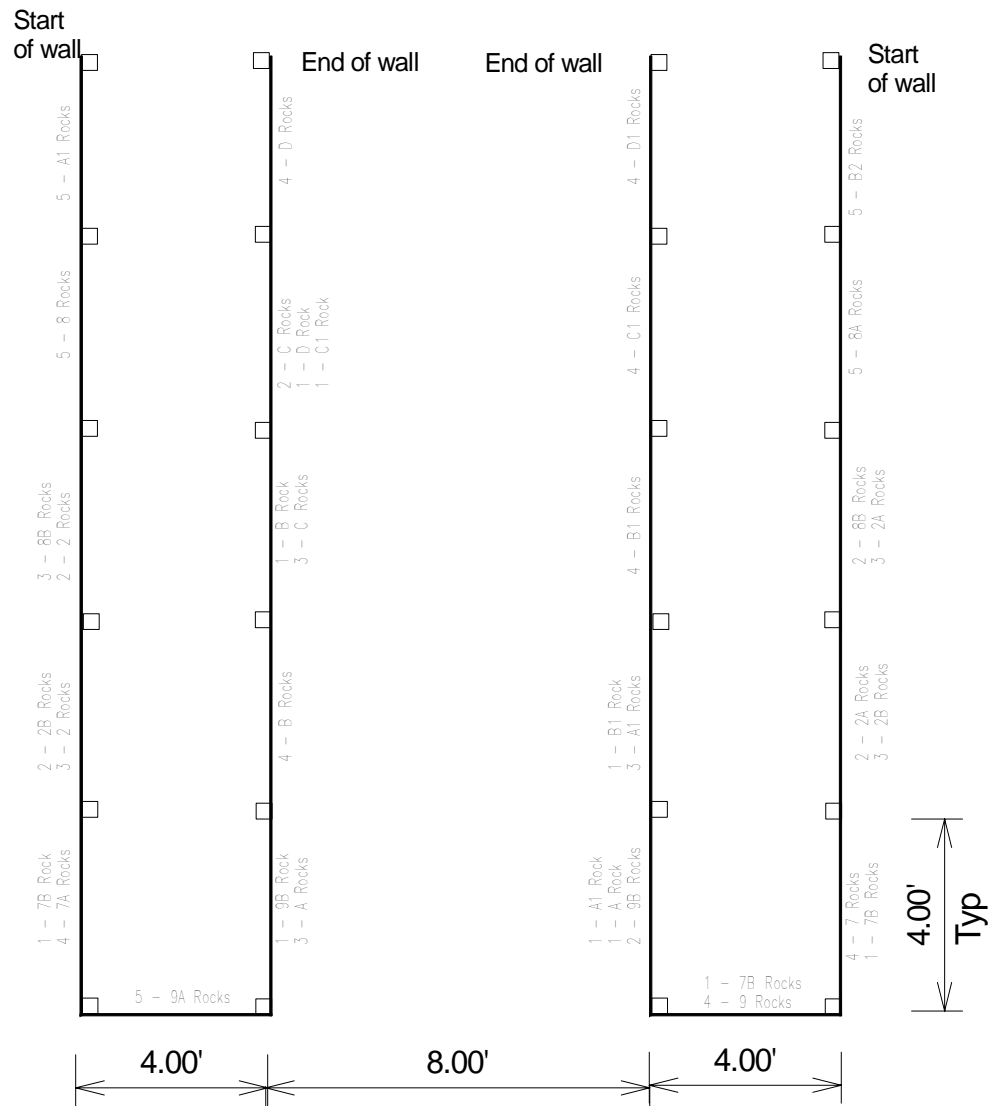
Material List

- 6 - 2 x 4 x 8' Const Grade (Tarps Supports & Bot Braces)
- 9 - 2 x 4 x 10' Const Grade (Roof Supports & Top)
- 12 - 2 x 4 x 12' Const Grade (Dia Braces & Int Wall Supports)
- 8 - 4 x 4 x 10' Const Grade (Posts)
- 4 - 12' x 12' Tarps
- 16 - 3/4" x 4' x 8' BC Ext Grade Plywood
- 200 - #12 x 2" Deck Type Screws (Alt: Dry Wall Screws - Plywood to Posts)
- 275 - #12 x 3" Deck Type Screws (Alt: Dry Wall Screws Framing connections)
- 8 - 3' x 7' x 4" Mattresses

1. All plywood shll be 3/4" Plywood Shts w/ #12 x 2" Wood Screws @ 6" OC.
2. All 2 x 4 wood fram members connected at each end w/ 3" deck type screws

"A" Frame Wall

2 Staff 12' x 20' Area



Plan

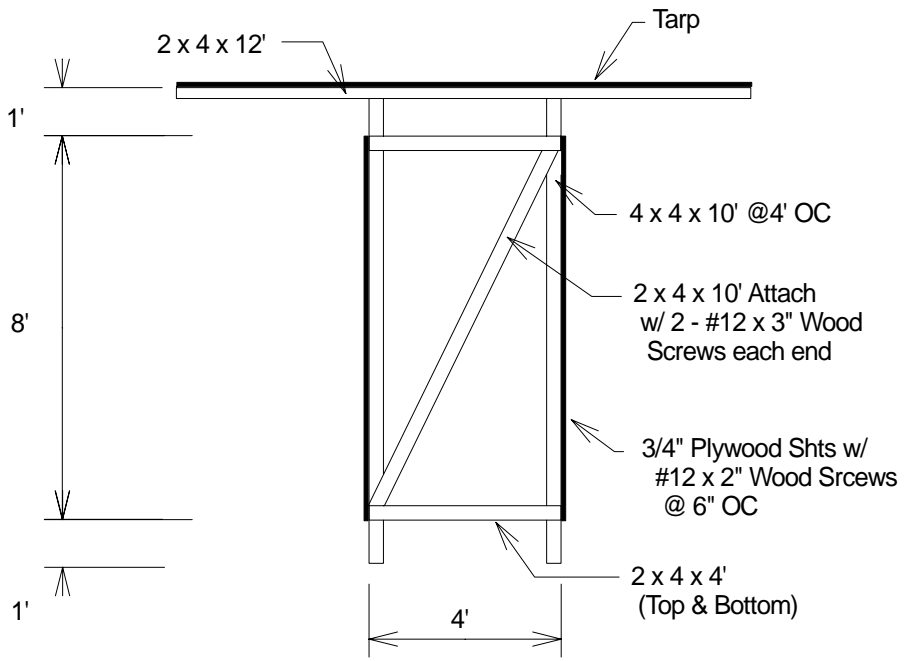
New Rocks: Panels = A, B, C, D, ...
Rocks for each panel = 1, 2, 3, 4, up to 5

Note:

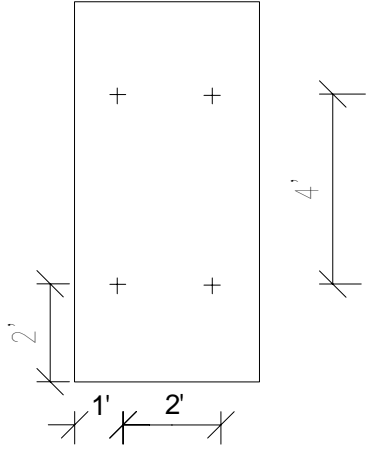
Distribute the number of rocks per 4' panel shown on the plan, making start of wall easier (closer together & larger rocks) to harder at end. Locate rocks per layout at right, dilling the holes randomly within 6" of grid point.

Material List (For 1 wall)

- 6 - 2 x 4 x 8' Const Grade (Horiz T & B)
- 5 - 2 x 4 x 10' Const Grade (Dia Braces)
- 6 - 2 x 4 x 12' Const Grade (Top for tarps)
- 12 - 4 x 4 x 10' Const Grade (Legs)
- 2 - 12' x 12' Tarps
- 11 - 3/4" x 4' x 8' BC Ext Grade Plywood
- 325 - #12 x 2" Wood Screws (Alt: Dry Wall Screws)
- 75 - #12 x 3" Wood Scrw (Alt: Dry Wall Screws)
- 2 lbs - 16d Nails



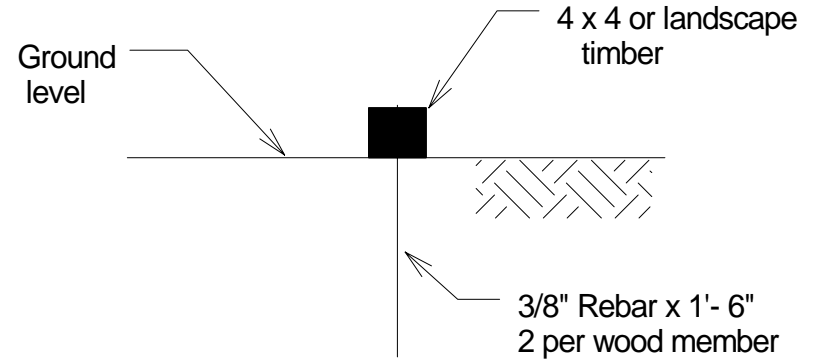
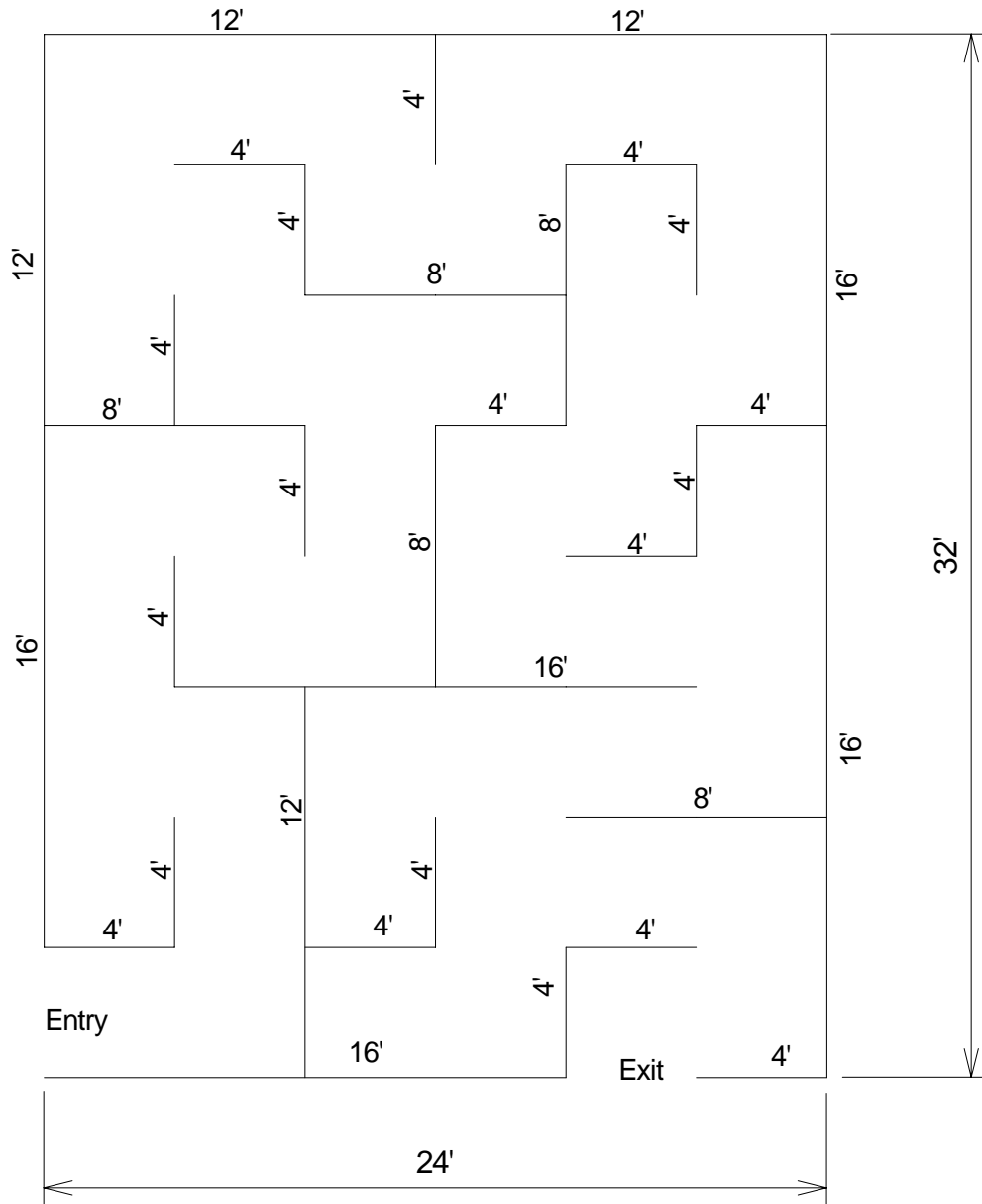
Typical Cross Section



Rock Grid Plan

Horizontal Climbing Wall

1 Staff 30' x 35' Area (For 2 wall)



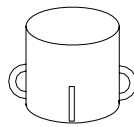
Detail

Material List

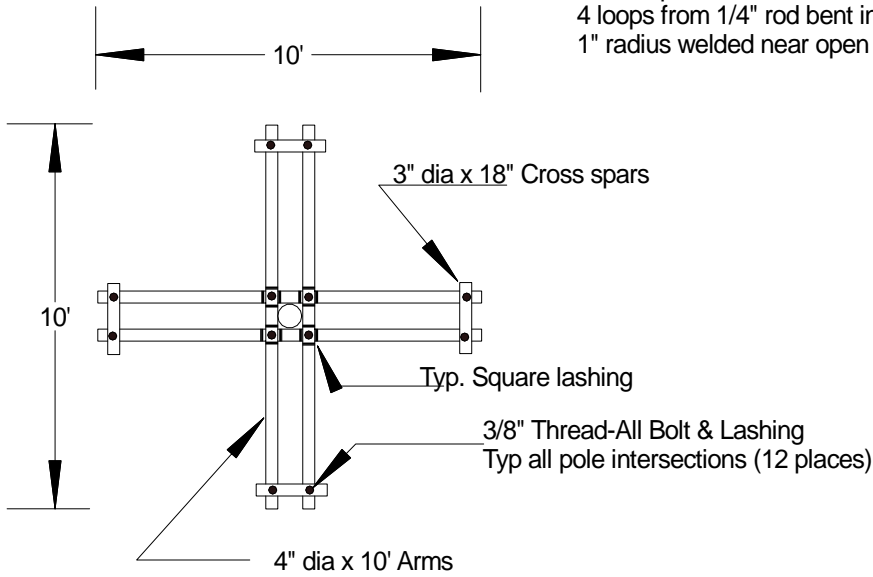
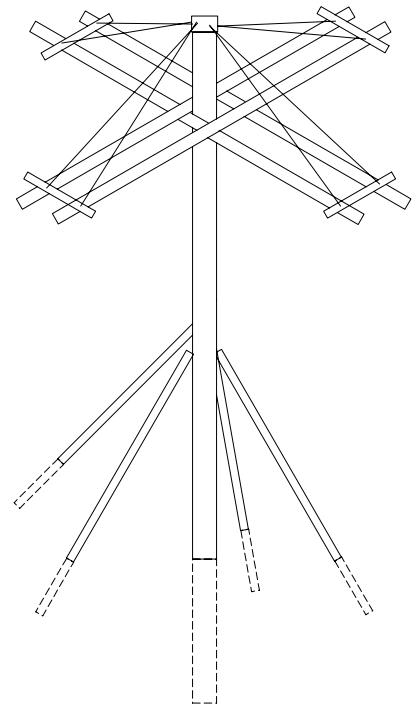
- 19 - 4 x 4 x 4' Const Grade Lumber
- 5 - 4 x 4 x 8' Const Grade Lumber
- 4 - 4 x 4 x 12' Const Grade Lumber
- 5 - 4 x 4 x 16' Const Grade Lumber
- 70 - 3/8" Dia x 1' - 6" Rebar
- 10 - Broom Handles
- 20 - Blind Folds

- Alt:
- 31 - 8' Landscape Timbers
- 86 - 3/8" x 1' - 6" Rebar

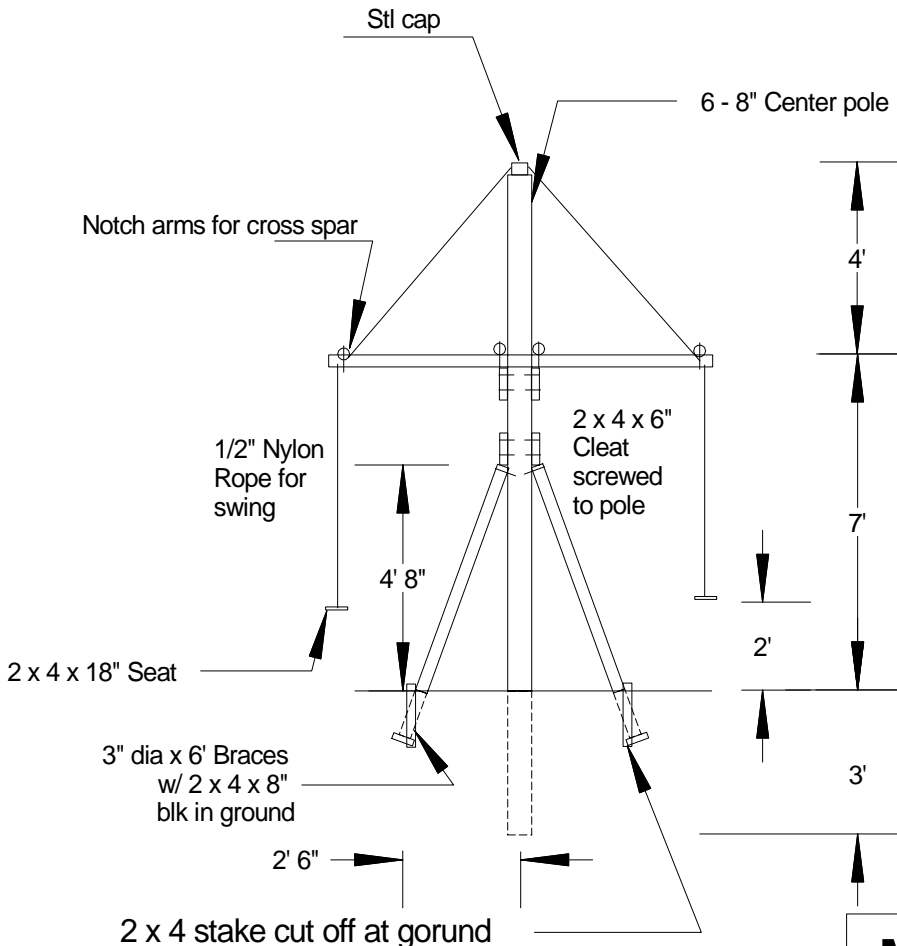
MAZE



4" Diameter Stl Pipe x 4" long
 1/4" Stl plate welded to 1 end
 4 loops from 1/4" rod bent into
 1" radius welded near open end



Top View

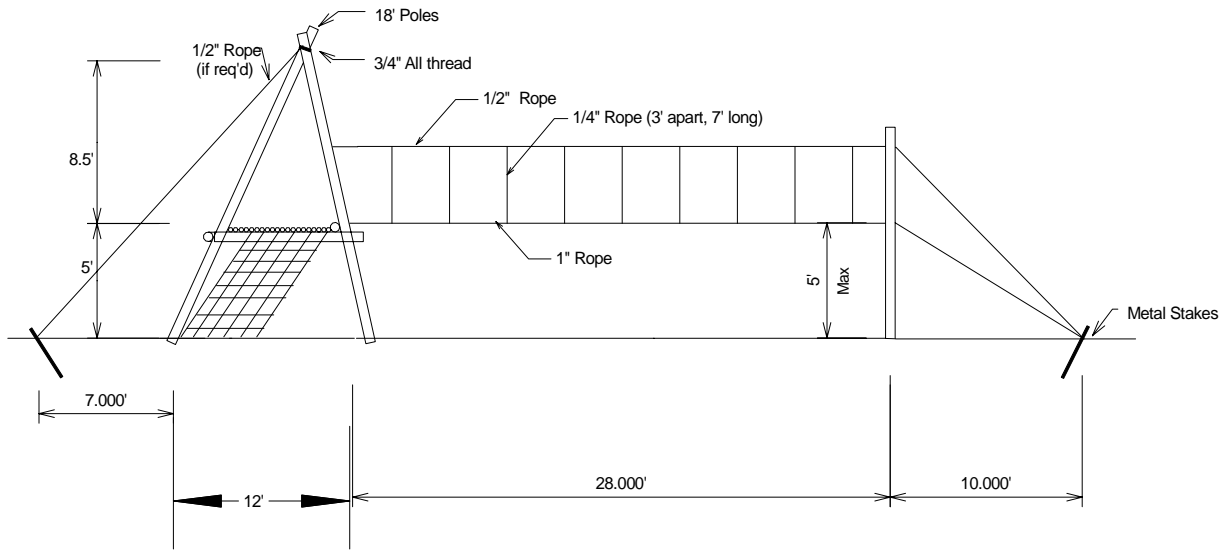


Material List:

- 1 - 6 - 8" Dia x 14' Pole
- 4 - 3" Dia x 6' Braces
- 4 - 3" Dia x 10' Arms
- 8 - 2 x 4 x 6" Cleats (4')
- 4 - 2 x 4 x 18" Seats (6')
- 4 - 2 x 4 x 18" Stakes (6')
- 4 - 3" Dia x 18" Cross Spars (6')
- 4 - 2 x 4 x 8" Blks in ground (8')
- 50 - 3" Deck screws
- 60' - 1/4" Rope (lashings)
- 100' - 1/2" Rope (Top brace)
- 100' - 1/2" Nylon Rope (for seats)
- 2 - 3/8 x 3'0" All Thread
- 24 - 3/8" nuts
- 24 - 3/8" Washers
- 1 - Can grease (car)
- 1 - Steel Cap

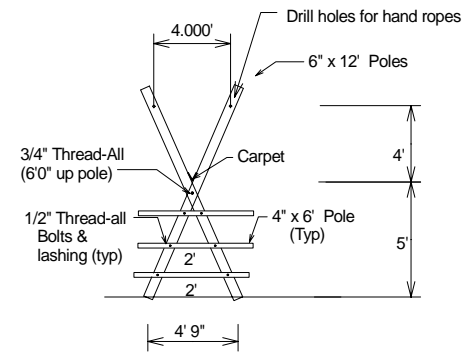
Front View

Merry-Go-Round

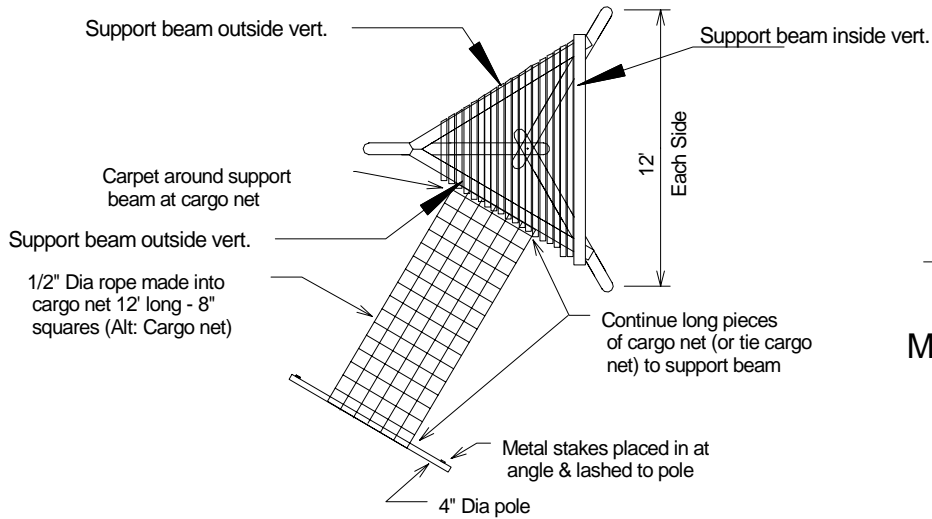


Elevation

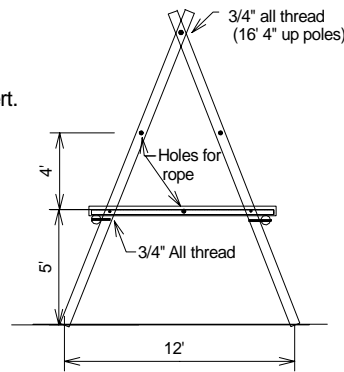
Note: Lashings shall use 3/8" rope



Typical End Frame



Plan of Tripod



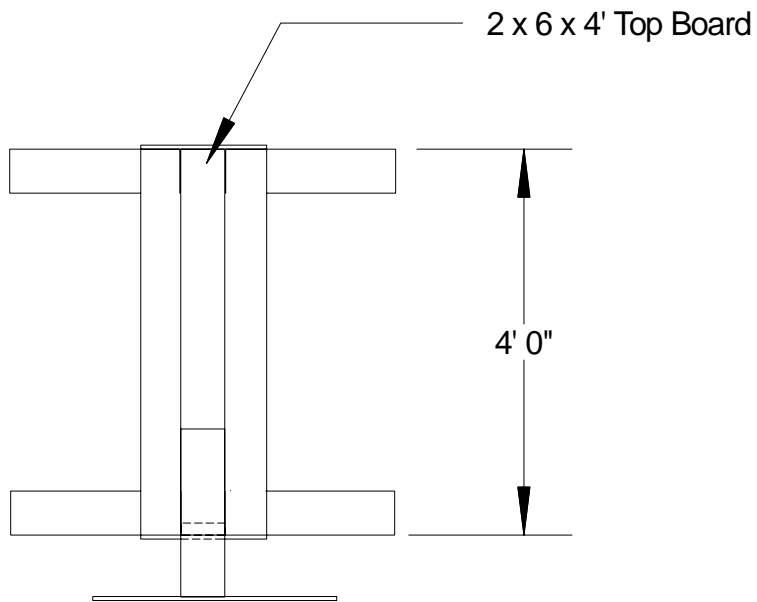
Monkey Bridge Take-off Frame

Material List

- 3 - 6" dia x 18' Poles (Tripod legs - Alt: 3 - 4" x 6" x 18')
- 2 - 6" dia x 12' Poles (A frames - Alt: 2 - 4" x 4" x 12')
- 3 - 6" dia x 10' Poles (Tripod beams - Alt: 3 - 4" x 6" x 10')
- 10 - 4" dia x 10' Poles (Tripod floor - Alt: 11 - 2" x 4" x 10')
- 7 - 4" dia x 8' Poles (Tripod floor/bot of cargo net - Alt: 7 - 2" x 4" x 8')
- 3 - 4" dia x 6' Poles (Steps - Alt: 3 - 2" x 4" x 6')
- 3 - 3/4" x 3" All-thread (A frames & tripod)
- 20 - 3/4" Washers
- 20 - 3/4" Nuts
- 2 - 1/2" All thread (Steps)
- 12 - 1/2" Washers
- 12 - 1/2" Nuts
- 60' - 1" dia Rope (Foot rope)
- 175' - 1/2" dia Rope (Hand Ropes)
- 600' - 1/2" Rope (Cargo net) ALT: CARGO NET
- 325' - 3/8" dia Rope (Lashings)
- 70' - 1/4" dia Rope (Foot/hand connect ropes)
- 8' - 18" wide used carpet (A frames)
- 40 - 1 1/2" Roofing nails (Large head for carpet)
- 350' - Cotton Twine (String for whipping rope)
- 10 - Metal Stakes
- 1 - Roll Engineer's flourscent tape (mark ropes)
- 8' - 3/4" Garden Hose

Monkey Bridge

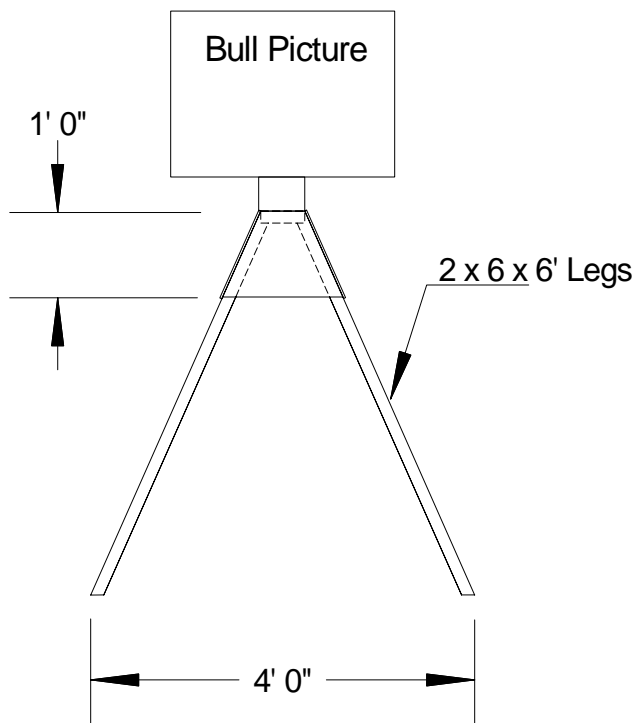
8' x 84' Area Staff = 1



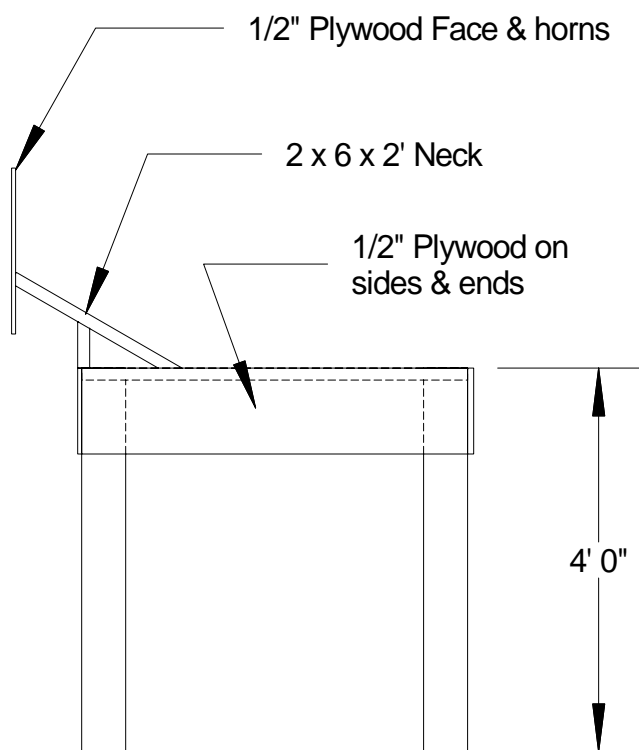
Top View

Notes:

1. Attach all 2 x 6's together with 3" long screws
2. Attach all plywood to the frames with 1 1/2" long screws



Front View



Side View

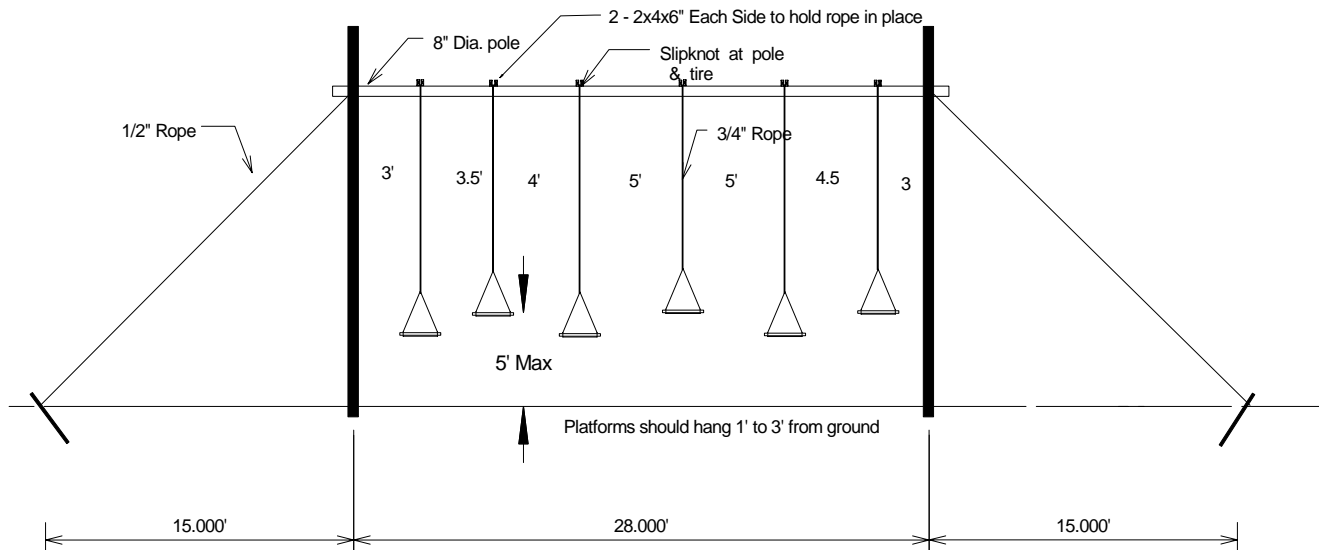
Material List: (For One)

- 3 - 2 x 6 x 8' Construction Grade Lumber
- 1 - 1/2" Plywood 4' x 4'
- 40 - 1 1/2" Wood screws (Deck screws)
- 20 - 3' Wood screws (Deck Screws)
- 1 - Lariat
- 1 - 50' Cotton clothes line rope
- 1 - Pint Brown Paint
- 1 - Pint Black Paint
- 1 - Pint White Paint

Rop'n Steer

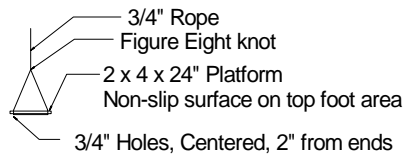
20' x 20' Area

Staff = 1



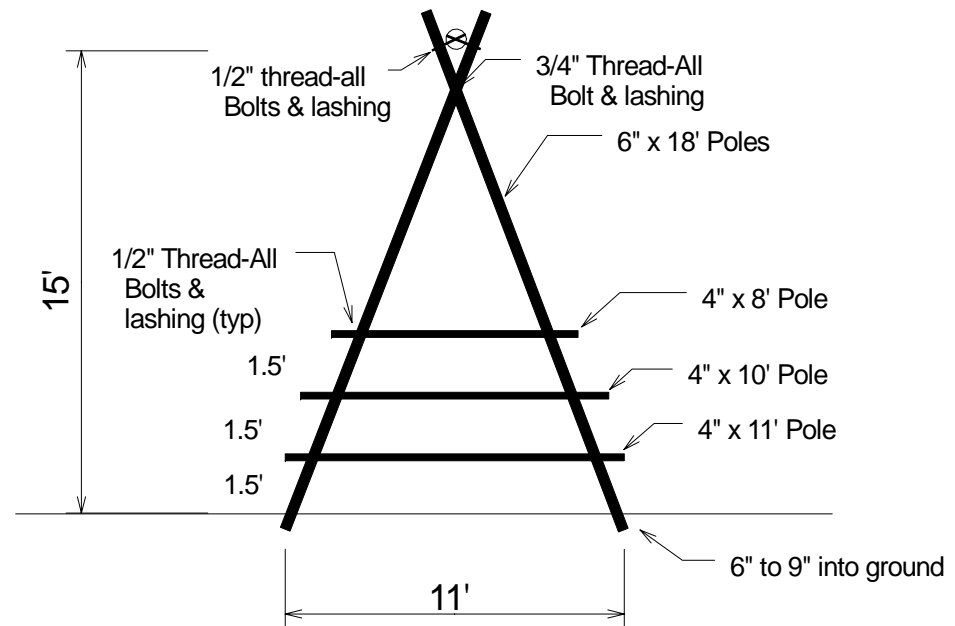
Note: Lashings shall use 3/8" rope

Elevation



Material List

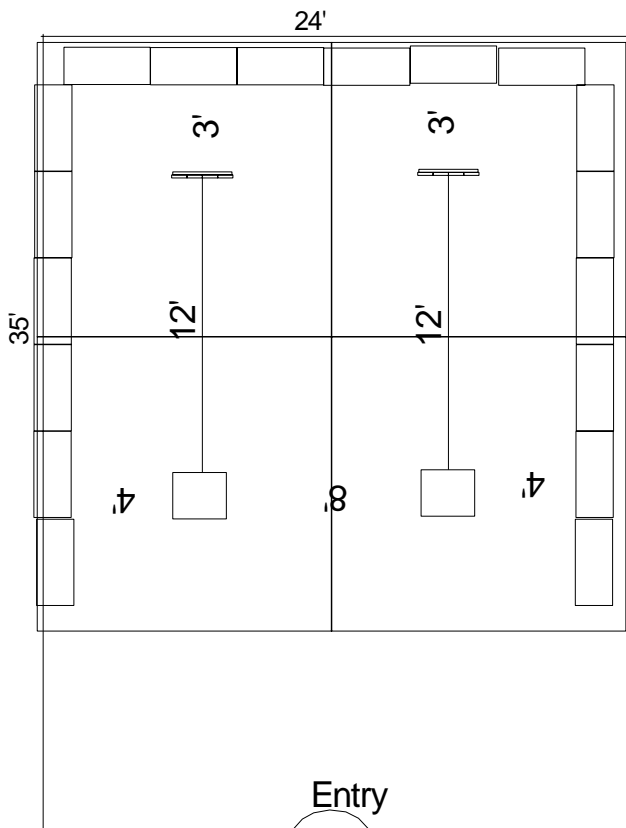
- 1 - 8" dia x 30' Poles (Main beams - Alt: 1 - 4" x 8" x 30')
- 4 - 6" dia x 18' Poles (A frame posts - Alt: 4 - 4" x 6" x 18')
- 2 - 4" dia x 11' Poles (Steps - Alt: 2 - 4" x 4" x 12')
- 2 - 4" dia x 10' Poles (Steps - Alt: 2 - 2" x 4" x 10')
- 2 - 4" dia x 8' Poles (Steps - Alt: 2 - 2" x 4" x 8')
- 6 - 2" x 4" x 2'0" (Platforms)
- 2 - 3/4" x 3' All-thread (A frames)
- 8 - 3/4" Washers
- 8 - 3/4" Nuts
- 6 - 1/2" x 3' All-thread (Steps & main beams)
- 24 - 1/2" Washers
- 24 - 1/2" Nuts
- 125' - 1/2" dia rope (Tire wrap & brace ropes)
- 125' - 3/4" dia rope (Tire supports)
- 580' - 3/8" dia rope (Lashings)
- 80' - Cotton Twine (String for whipping ropes)
- 6 - Metal Stakes (Approx 3/8" x 1 1/2" x 3' - 0")
- 1 - Roll Engineer's flourscent tape
- 24' - Non-slip material for foot steps



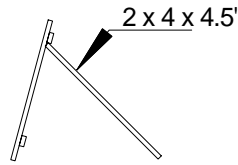
Typical End Frame

Sky Walk

106' x 11' Area Staff = 1

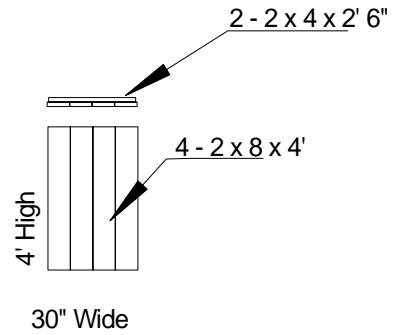


Plan of Area

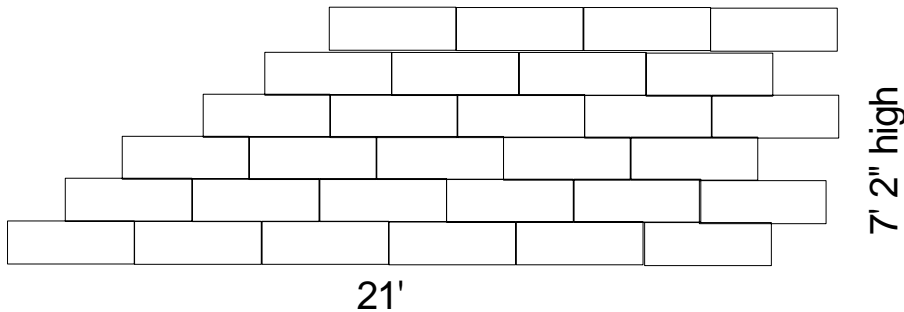


Targets

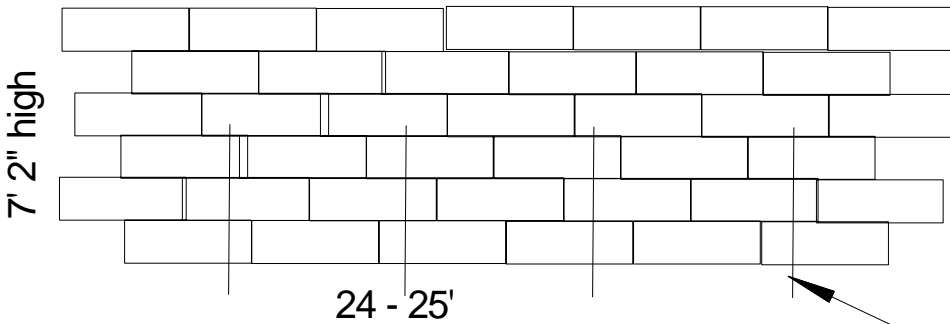
Standard Bale = 14 to 16" x 18" x 37 to 45"
Iowa = 20" x 20" x 42"



4 targets were adequate for 2004 NOAC



Side bale of hay Wall



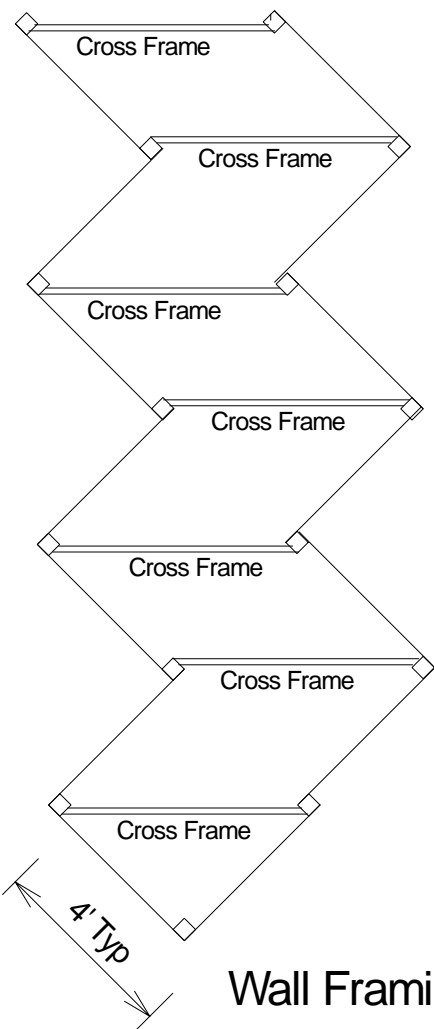
Back bale of hay Wall

Metal fence post through bales into ground

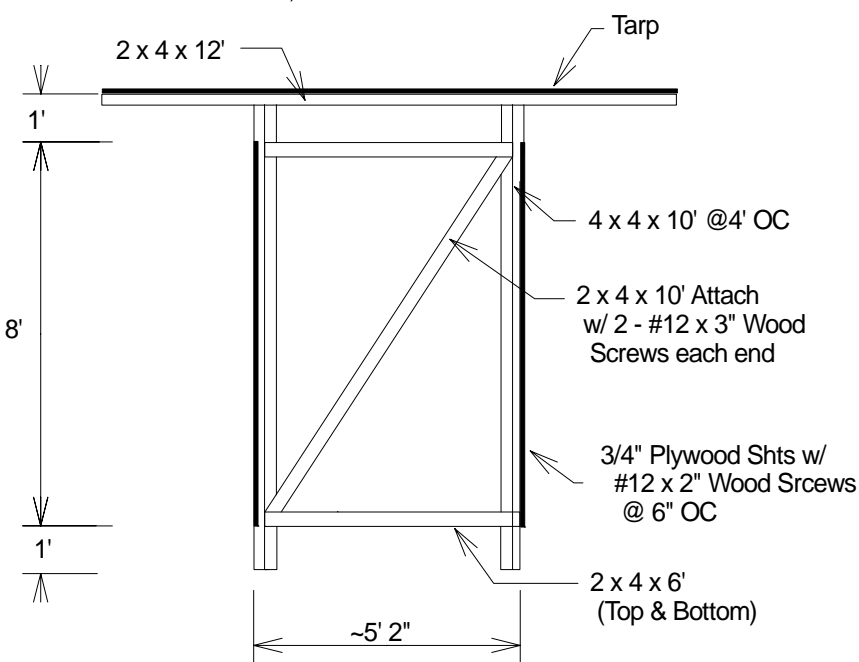
Material List:

- 8 - 2 x 4 x 8'
- 8 - 2 x 8 x 8'
- 96 - 2" Wood Screws (Phillips heads)
- 4 - 12' x 12' Tarps
- 4 Sets poles, ropes and stakes for tarps
- 105 - 16" x 18" x 40" Bales of hay
- 200' Caution Tape
- 25 - Metal fence posts (approx 4' long)

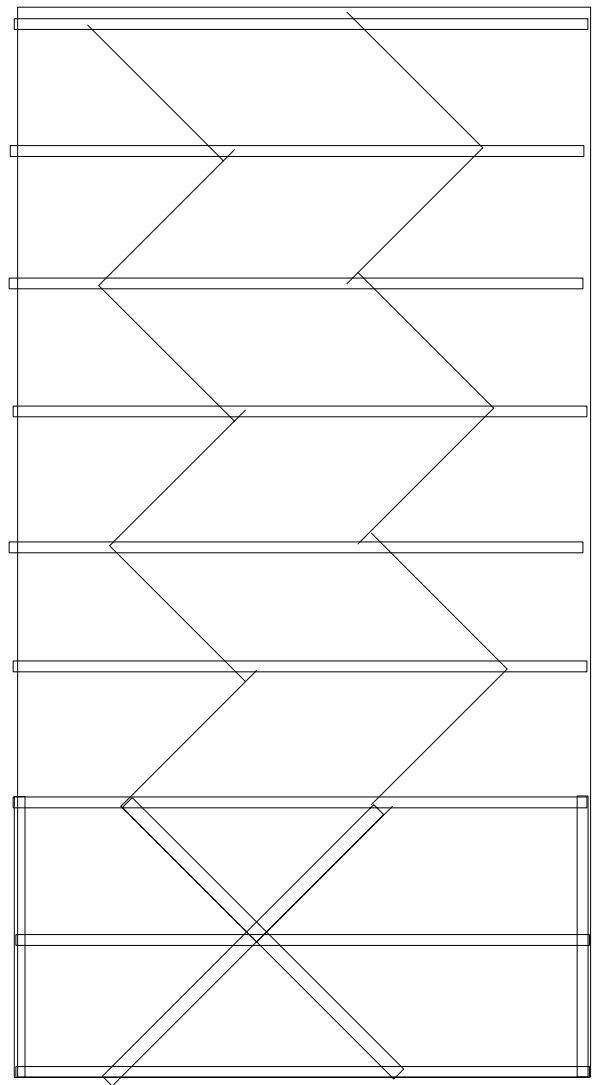
<h1>Tomahawk Throw</h1>
24' x 50' Area 2 Staff



Wall Framing



Typical Cross Section



Tarp & Roof Joists

Material List

- 2 - 2 x 4 x 8' Const Grade (Topa for tarps supports @ ends)
- 7 - 2 x 4 x 10' Const Grade (Dia Braces)
- 16 - 2 x 4 x 12' Const Grade (Top for trarps & Horiz T & B)
- 15 - 4 x 4 x 10' Const Grade (Legs)
- 2 - 12' x 12' Tarps
- 14 - 3/4" x 4' x 8' BC Ext Grade Plywood
- 250 - #12 x 2" Wood Screws (Alt: Dry Wall Screws - Plywood to Posts)
- 150 - #12 x 3" Wood Scrs (Alt: Dry Wall Screws - Frame Connections)

Zig Zag Climbing Walls

2 Staff 12' x 24' Area